

EVOLVEO

Tiny M1



www.evolveo.com

Thank you for your purchase of the USB3.1 M.2 NGFF SSD external enclosure. This Plug & Play enclosure enables you to use M.2 NGFF SSD and gives you the connection of Super-speed USB 3.1. The product uses the USB Type-C interface, enhance ease of use for connecting USB devices with a focus on minimizing user confusion for plug and cable orientation

1. FEATURES

- Support USB Super-speed Gen2(10Gbps) / Super-speed Gen1(5Gbps)/High-speed(480Mbps)/Full-speed(12Mbps) operation.
- Support windows 2000/XP/ VISTA /7/8/10, Mac9.2, Linux 2.4.2 and above
- Support M.2 NGFF SATA I/II/III SSD, up to 1TB or more
- Fits size for MS01/02: 30*22mm/42*22mm
Fits size for MS03:
30*22mm/42*22mm/60*22mm/80*22mm
- LED power/status indicators
- Easy installation

2. SPECIFICATIONS

- Interfaces: 3.1/3.0/2.0/1.1
- Support USB3.0 Super-speed operation
- Case material: All Aluminum
- LED indicator: Power and drive activity
- Environmental:
 - I Power Requirements: DC5V supplied by the Computer
 - II Operating Temperature: 5 °C to 50 °C
 - III Storage Temperature: -40 °C to 70 °C
 - IV Operating Humidity: 5 to 90%, non-condensing

3. SYSTEM REQUIREMENT

PC Requirements

- Minimum Intel Processor Pentium II/50MHz, 64MB RAM
- Windows 2000 / XP / VISTA/7/8/10
- Active USB port

MAC Requirements

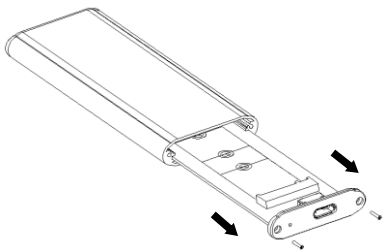
- Minimum Apple G processor, 64MB RAM
- Mac OS 9.1, 9.2, 10.1.5, 10.2, 10.3
- Active USB port

PACKAGE CONTENTS

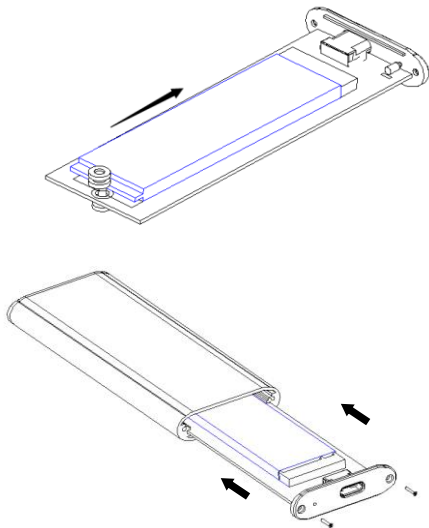
- M.2 NGFF SSD Mini External Enclosure
- User manual
- USB3.0 Type-C Super-speed cable
- A screw driver and some screws

Installation hard disk driver

Step 1: Remove the two screws out, and then remove the PCBA



Step 2: The SSD corresponding to the seat and PCBA connection good, then lock it. Pass into the aluminum and the SSD after locking the back cover.



Connect to computer

Connect one end (type C) of the USB cable into the USB Port of your HDD external enclosure.

Connect the other end of the USB cable (type A) into any active USB port of the computer.

Let Windows search and install the driver automatically.

Open "My Computer" to see your external hard drive ready to use.

NOTE:

If the external hard disk is a new disk drive which has not been partitioned, please refer to the Partition the External Hard Disk chapter to prepare your

USB3.0 external disk.

NOTE:

To enjoy USB 3.1 super speed up to 10Gbps, your computer must be equipped with built-in USB 3.1 ports, or a USB 3.0 host PCI-e card

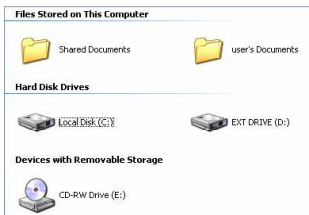
If the external hard disk is a new disk drive which has not been partitioned, please refer to the [Partition the External Hard Disk chapter](#) to prepare your USB3.0 external disk.

Drivers Installation

Windows 2000/ XP/VISTA/

7/8/10

The product is supported by Mass Storage Device within WINDOWS2000/XP/VISTA/7/8/10 system directly you do not need to install any drivers. When the USB External Drive is used for the first time your PC system will detect a USB Storage Device and automatically install the drivers for [USB Mass Storage Device] from the installed system.



Mac OS

Mac OS 8.6

If you are using Mac OS 8.6, the software of Mass Storage Support 1.3.5 is required for installation. You can download The USB Mass Storage Support 1.3.5 from the Apple Software Updates web site <http://www.apple.com/support>.

Mac OS 9.0 or later

You don't need to install this software if you have installed Mac OS 9.0 or above. When you connect the product with the Mac computer, the mass storage volume should appear on the desktop in a few seconds automatically.

Disconnect to computer

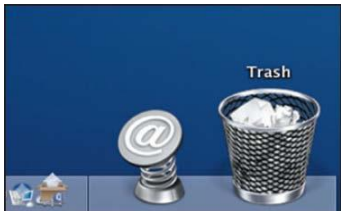
Windows 2000/ XP/VISTA/ 7/8/10

1. Double-click on the **[Unplug arrow icon or Eject Hardware]** icon in the system tray. Dialog box appears as on the right.
2. Highlight the **[USB Mass Storage Device]** in the dialog box, click on **[Stop]**, choose the USB External Drive that you want to disconnect, then click on **[Stop]** again on next screen.
3. Wait for few seconds, the system prompts **"You may safely remove this device"**.
4. You can now safely switch off the enclosure or unplug the USB cable from the USB port of the computer.



Mac OS

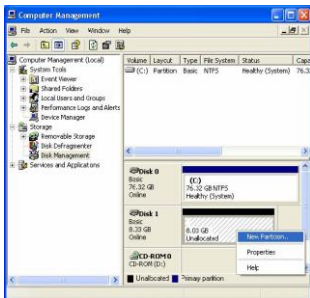
When disconnecting your product from the computer, close all windows and quit all running applications that are stored on the USB External Drive and drag USB External Drive's icon into "Trash" this dismounts it from the Desktop prior to unplugging the USB External Drive from the USB port.



HOW TO PARTITION THE EXTERNAL HARD DISK

WARNING!!

Before you partition your hard disk, please be aware that this will destroy all your existing data on the drive, so make sure you have a backup! This step is usually only required the first time you install a factory new hard drive or if you want to change the existing format.



Windows 2000/ XP/ VISTA/ 7/8/10

Step1

Right-click on [My Computer] , choose [Manage]. A [Computer Management] window will appear.

Step2

Click on **[Disk Management]** on the left part of this window and all connected disk drives will be listed in the right part. Find the Hard Disk that you added with it's partition status on the right. You can create a new or delete an existing partition by right clicking on this area.

Step3

Right-click on the hard disk partition status area and choose **[New Partition...]**.The "**New partition wizard**" will appear.

Step4

Following the "wizard" instructions to partition and format your HDD

Step5

Wait until "wizard" finish formatting your SATA drive. It should now appear in **[My Computer]** ready to use.

Attention:

About Windows2000/XP/VISTA/7/8, Please choose NTFS Format, When the capacity is blow 32GB, You can choose FAT32 format.

Mac OS

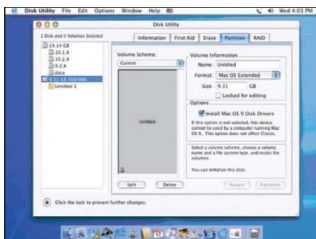
NOTE:

Mac OS does not recognize NTFS formatted drives.

Mac OS9.2 and earlier, does not support creating partitions on an external drive. To do that, you would need to purchase additional third-party software. Initializing is no problem on all Operating Systems.

Mac OS X, use the Disk Utility to format and create partitions on your external disk.

- Select "Disk Utilities" in the utilities folder.
- Choose your external drive and format it according to your requirement.



FAQs:

Q: I can't find the drive under my computer, why?

A: Please make sure your new hard disk has been partitioned.

Q: After plugging the USB port, the drive is not spinning at all, why?

A: The USB cable doesn't connect successfully

Q: After installing the drive. Why it is still recognized as "Unknown device"

A: This means the USB3.1 HOST driver installation is not successful; Try disconnecting the cable, waiting 10s, and then reconnecting it. If the drive is still not recognized, restart your computer and try again.

Q: Can I use external USB hub?

A: Yes, USB hub works in the same way as the computer USB ports

Q: My computer doesn't have USB 3.1 port, Can I use USB 3.1 host Adapter ?

A: USB 3.1 host adapter works in the same way as the built-in USB ports.

The warranty DOESN'T APPLY to:

- using the device for other purposes than it was designed to
- installation of another firmware then the one that was installed as the original from the factory or firmware that can be downloaded manually or automatically from the device menu

- mechanical damage of caused by inappropriate using
- damage caused by the natural elements as fire, water, static electricity, overvoltage and so on
- damage caused by unauthorized repair
- damage of the guarantee seal or unreadable serial number of the device



— Disposal: The symbol of crossed out container on the product, in the literature or on the wrapping means that in the European Union all the electric and electronic products, batteries and accumulators must be placed into the separate salvage after finishing their lifetime. Do not throw these products into the unsorted municipal waste



DECLARATION OF CONFORMITY

Hereby, the company Abacus Electric, s.r.o. declares that the EVOLVEO Tiny M1 is in compliance with the requirements of the standards and regulations, relevant for the given type of device.

Find the complete text of Declaration of Conformity at
<ftp://ftp.evolveo.com/ce>

Dovozce / Dovozca / Importer / Importör
Abacus Electric, s.r.o.
Planá 2, 370 01, Czech Republic

Výrobce / Výrobca / Manufacturer / Gyártó
Naxya Limited
No.5, 17/F, Strand 50, 50 Bonham Strand, Sheung Wan,
Hong Kong
Made in China

Copyright © Abacus Electric, s.r.o.

www.evolveo.com

www.facebook.com/EvolveoCZ

All rights reserved.

Design and specification may be changed without prior notice.